

AXIS P5534 PTZ Dome Network Camera

HDTV pan/tilt/zoom camera with 18x zoom for indoor applications.



- > HDTV 720p, day/night and H.264
- > IP51-rated protection against dust and dripping water
- > 18x optical zoom
- > Advanced Gatekeeper functionality
- > Power over Ethernet Plus (IEEE 802.3at)

AXIS P5534 PTZ Dome Network Camera offers superb HDTV-quality video and 18x zoom for indoor surveillance applications. With an IP51-rated protection against dust and dripping water, it is ideal for use at airports, train stations, warehouses, shops and schools.

AXIS P5534 provides HDTV 720p in compliance with SMPTE 296M standard of 1280 x 720 pixel resolution, full frame rate, HDTV color fidelity and a 16:9 format. The camera has day and night functionality for high image quality in low light conditions. It can also deliver multiple H.264 and Motion JPEG streams simultaneously. H.264 greatly optimizes bandwidth and storage without compromising image quality.

The camera's IP51 rating ensures reliable operation even in dusty and potentially wet indoor conditions. Support for Power over Ethernet Plus (PoE+) also makes installation easy since only one cable is needed for carrying power, video and PTZ commands. A PoE+ midspan is supplied with the camera.

The PTZ camera provides 18x optical and 12x digital zoom with autofocus. It can pan 360° due to the unique Auto-flip functionality.

AXIS P5534 offers the Advanced Gatekeeper functionality, which enables the camera to automatically move to a preset position when motion is detected in a pre-defined area and return to the home position after a set time.

When an optional multi-connector cable is used, the camera supports two-way audio, audio detection, four configurable inputs/outputs for external devices and AC/DC power. Local storage with SD/SDHC memory card is also supported.



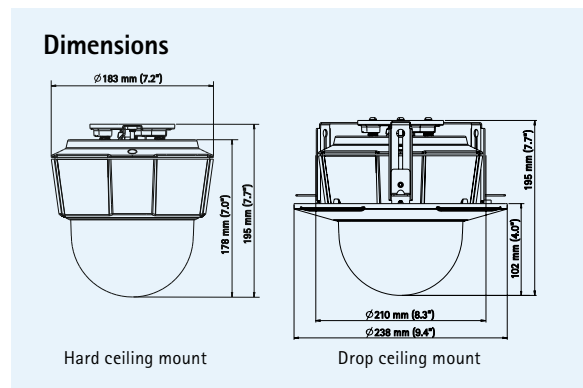
Technical specifications – AXIS P5534 PTZ Dome Network Camera

Camera	
Models	AXIS P5534 60 Hz; AXIS P5534 50 Hz
Image sensor	1/3" progressive scan CCD 1.3 megapixel
Lens	f=4.7 – 84.6 mm, F1.6 – 2.8, autofocus, automatic day/night Horizontal angle of view: 55.2° – 3.2°
Minimum illumination	Color: 0.74 lux at 30 IRE F1.6 B/W: 0.04 lux at 30 IRE F1.6
Shutter time	1/10 000 s to 1/4 s
Pan/tilt/zoom	E-flip, Auto-flip, 100 preset positions Pan: 360° (with Auto-flip), 0.2° – 300°/s Tilt: 180°, 0.2° – 300°/s 18x optical zoom and 12x digital zoom, total 216x zoom
Pan/tilt/zoom functionalities	Limited guard tour Control queue On-screen directional indicator
Video	
Video compression	H.264 (MPEG-4 Part 10/AVC) Motion JPEG
Resolutions	HDTV 720p 1280x720 to 320x180
Frame rate	H.264: Up to 30/25 fps (60/50 Hz) in all resolutions Motion JPEG: Up to 30/25 fps (60/50 Hz) in all resolutions
Video streaming	Multiple, individually configurable streams in H.264 and Motion JPEG Controllable frame rate and bandwidth VBR/CBR H.264
Image settings	Wide dynamic range, manual shutter time, compression, color, brightness, sharpness, white balance, exposure control, exposure zones, backlight compensation, fine tuning of behavior at low light, rotation, text and image overlay, 3D privacy mask, image freeze on PTZ
Audio	
Audio streaming	Two-way
Audio compression	AAC-LC 8/16 kHz, G.711 PCM 8 kHz, G.726 ADPCM 8 kHz Configurable bit rate
Input/output	Requires multi-connector cable (not included) for external microphone input or line input and line output
Network	
Security	Password protection, IP address filtering, HTTPS* encryption, IEEE 802.1X* network access control, digest authentication, user access log
Supported protocols	IPv4/v6, HTTP, HTTPS*, SSL/TLS*, QoS Layer 3 DiffServ, FTP, SMTP, Bonjour, UPnP, SNMPv1/v2c/v3 (MIB-II), DNS, DynDNS, NTP, RTSP, RTP, TCP, UDP, IGMP, RTCP, ICMP, DHCP, ARP, SOCKS

System integration	
Application Programming Interface	Open API for software integration, including VAPIX® from Axis Communications, available at www.axis.com Support for AXIS Video Hosting System (AVHS) with One-Click Camera Connection
Intelligent video	Video motion detection, audio detection, Advanced Gatekeeper
Alarm triggers	Video motion detection, audio detection, external input, PTZ preset, temperature, memory card full
Alarm events	File upload via FTP, HTTP and email Notification via email, HTTP and TCP External output, PTZ preset, local storage, play audio clip Pre- and post-alarm video buffering
General	
Casing	IP51-rated, metal casing (aluminum), acrylic (PMMA) clear dome
Processors and memory	ARTPEC-3, 256 MB RAM, 128 MB Flash
Power	Power over Ethernet Plus (PoE+) IEEE 802.3at, max. 30 W 20–24 V AC, max. 23.6 VA 24–34 V DC, max. 17 W AXIS T8123 High PoE Midspan 1-port: 100–240 V AC, max. 37 W
Connectors	RJ-45 for 10BASE-T/100BASE-TX PoE Multi-connector (cable not included) for power in, 4 configurable alarm inputs/outputs, mic in, line mono input, line mono output to active speaker
Local storage	SD/SDHC memory card slot (card is not included)
Operating conditions	0 °C to 50 °C (32 °F to 122 °F) Humidity 20 – 80% RH (non-condensing)
Approvals	EN 55022 Class B, EN 61000-3-2, EN 61000-3-3, EN 61000-6-1, EN 61000-6-2, EN 55024, FCC Part 15 Subpart B Class B, ICES-003 Class B, VCCI Class B, C-tick AS/NZS CISPR 22, EN 60950-1, KCC Class B IEC 60721-4-3 Class 3K3, 3M3, EN/IEC 60068-2 Midspan: EN 60950-1, GS, UL, cUL, CE, VCCI, CB, KCC
Weight	Camera: 1.9 kg (4.2 lb.) Camera with drop-ceiling mount: 2.3 kg (5.1 lb.)
Included accessories	AXIS T8123 High PoE Midspan 1-port, mounting kit for hard and drop ceilings, clear and smoked dome cover, Installation Guide, CD with User's Manual, recording software, installation and management tools, Windows decoder 1-user license

*This product includes software developed by the OpenSSL Project for use in the OpenSSL Toolkit. (www.openssl.org)

More information is available at www.axis.com



Optional accessories

AXIS T91A Mounting Accessories Wall Corner Ceiling Pendant kit	AXIS T90A Illuminators 	AXIS T8310 Video Surveillance Control Board
Multi-connector cable for AC/DC power, I/Os and audio 		AXIS Camera Station and video management software from Axis' Application Development Partners. For more information, see www.axis.com/products/video/software/